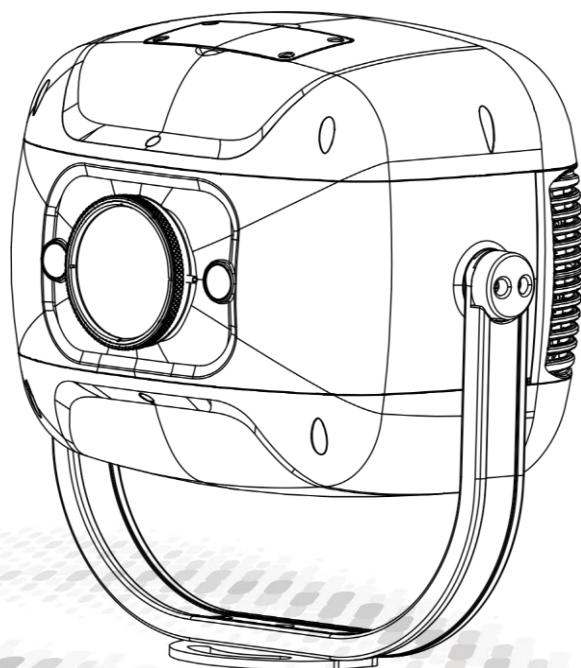


图纸编码	RD-AG1862-SM-03(中性)			版本号	A
AG1862SCT(切割版)中性说明书				编辑日期	2025/4/17
制作	刘丽萍	审核	韩子晓	批准	余泽松
物料编码	1320109986				
修改内容					
备注	以 A4 样本打印				

E one

USER MANUAL



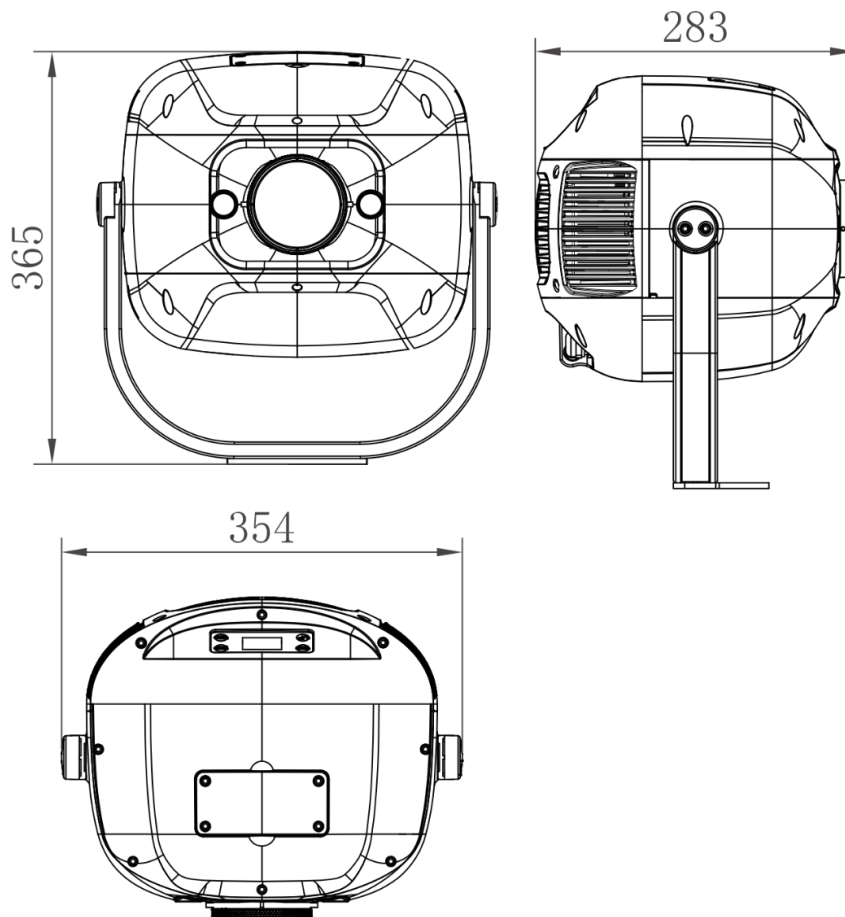
MODEL: AG1862SCT

1 PRODUCT

1.1 TECHNICAL SPECIFICATIONS

Type	AG1862SCT
Power	400W
Voltage Range	AC100-277V~,50/60Hz
Protection	IP66
Operation Temperature	-20°C~45°C
Dimensions	354x283x365mm
Weight	11.6KG

DIMENSION



1.2 Safety Notes

IMPORTANT

- This product must be installed by a qualified professional.
- In order to maintain this condition and to ensure a safe operation, it is absolutely necessary for the user to follow the safety instructions and warning notes
- The manufacturer will not accept liability for any resulting damages caused by the non-observance of this manual or any unauthorized modification to the device.

CAUTION!

- Make sure that the available voltage is not higher than stated on the rear panel.
- Do not touch the power cables if your hands are wet.
- The earth wire must always be connected to the ground. Therefore it is essential to connect the yellow/green conductor to earth.
- Make sure that the power-cord is never crimped or damaged by sharp edges. Check the device and the power-cord from time to time. The electric connection, repairs and servicing must be carried out by a qualified employee.
- Always disconnect power input cable to completely remove power from unit when not in use or before cleaning or servicing the fixture.
- Do not switch the fixture on and off in short intervals as this would reduce the lamp's life.
- Do not touch the device's housing bare hands during its operation (housing becomes hot)! The surface of the product's casing can reach up to 70° C (158° F) during operation. Avoid contact by persons and materials. Do not install the product in a location where there is a risk of accidental contact. Allow the product to cool for at least 10 minutes before handling.
- For replacement use lamps and fuses of same type and rating only.
- Please protect the fixture and avoid destroy during transport and installation. If there is any damage to the coating, the shell may be corroded.
- When hanging lamps and lanterns, it is necessary to verify that facilities and hooks can bear at least 10 times the weight of lamps and lanterns.
- Fix the safety rope at the correct holes only. Only operate the fixture after having checked that the housing is firmly closed and all screws are tightly fastened.
- The maximum ambient temperature 45°C must never be exceeded. Do not operate the product if the ambient temperature (Ta) exceeds 45° C (115° F).

Electrical Warning

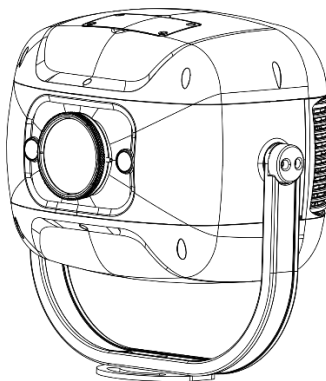
- The light source contained in this luminaire shall only be replaced by the manufacturer or his service agent or a similar qualified person

2 INSTALLATION

2.1 MOUNTING

HANGING

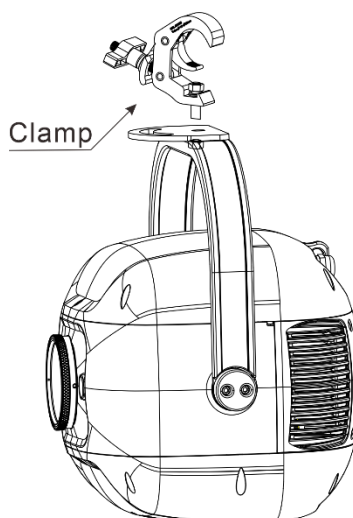
- ◆ You could place the light on the floor. Please make sure the surface is plane and the reliability of the floor is sufficient.
- ◆ Bolt a rigging clamp securely to the mounting yoke. The bolts used must be M12, grade 8.8 steel minimum, and fastened with a self-locking nut.



Horizontal layout

UPRIGHT

- ◆ For overhead use, always install a safety cable that can hold at least 10 times the weight of the fixture.
- ◆ For overhead installation, the fixture must be always secured with a safety wire that can bear at least 10 times the weight of the fixture; Secure the fixture with a safety cable through the rear safety eye as shown.
- ◆ Ensure that the structure (truss) to which you are attaching the fixture is secure



Hanging layout

2.2 POWER CONNECTIONS

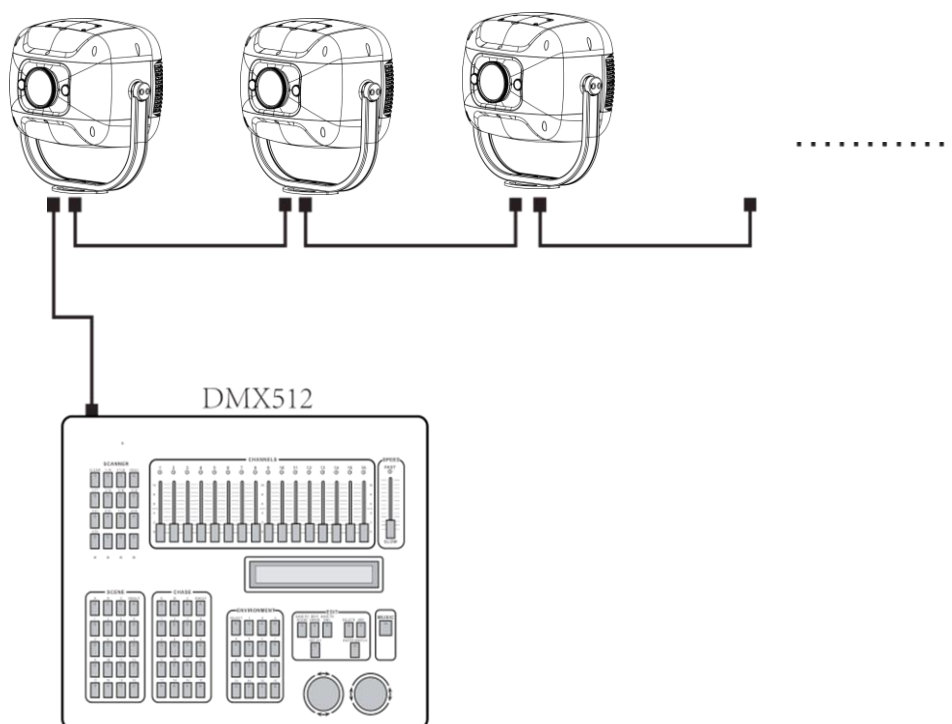
- ◆ This product has an auto-ranging power supply that can work with an input voltage range of 100-277V~,50/60Hz.

AC Plug

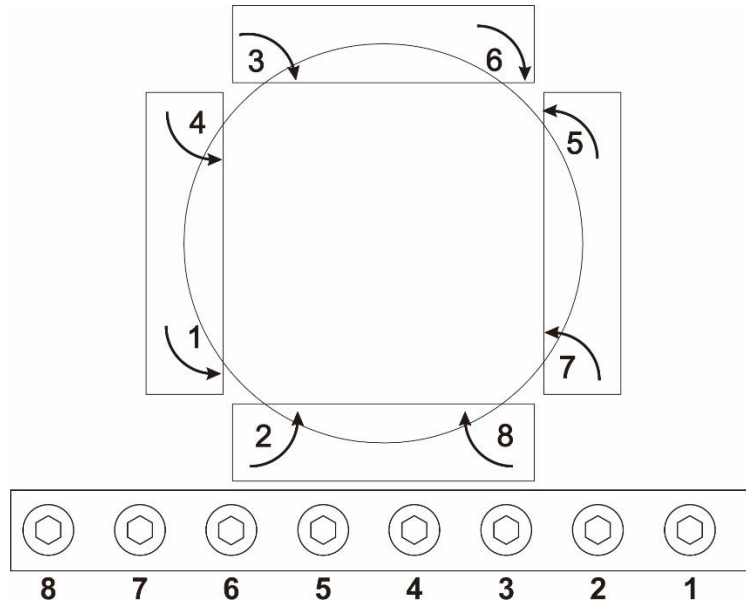
Connection	Wire (U.S.)	Wire(Europe)	Screw Color
AC Live	Black	Brown	Yellow/Brass
AC Neutral	White	Blue	Silver
AC Ground	Green/Yellow	Green/Yellow	Green

2.3 Data network requirements

- ◆ Connect the DMX512 controller to the units in series. A DMX 512 data link is required in order to control the fixture via DMX. The fixture has 3/5-pin XLR connectors for DMX data input and output.
- ◆ Each unit has N DMX channels so the DMX Addresses should increase by increments of 1, (Nx1)+1, (Nx2)+1, (Nx3)+1...
- ◆ Any DMX address in the range from 001 to 512 may be used.



2.4 Precision Framing Module Operating Instructions



- ① Screw, turn counterclockwise, inward framing corresponding to blade 1 point.
- ② Screw, turn counterclockwise, inward framing corresponding to blade 2 point.
- ③ Screw, turn counterclockwise, inward framing corresponding to blade 3 point.
- ④ Screw, turn counterclockwise, inward framing corresponding to blade 4 point.
- ⑤ Screw, turn counterclockwise, inward framing corresponding to blade 5 point.
- ⑥ Screw, turn counterclockwise, inward framing corresponding to blade 6 point.
- ⑦ Screw, turn counterclockwise, inward framing corresponding to blade 7 point.
- ⑧ Screw, turn counterclockwise, inward framing corresponding to blade 8 point.

3 FUNCTIONS AND SETTINGS

3.1 DISPLAY OPERATION

- ◆ MENU: Used to access the menu or to return a previous menu option;
- ◆ ENTER: Used to select and store the current menu or confirm the current function value or option within a menu;
- ◆ UP: Navigates downwards through the menu list and increases the numeric value when in a function;
- ◆ DOWN: Navigates upwards through the menu list and decreases the numeric value when in a function;

3.2 Menu Map

ADDRESS	001 - 512(Default 001)			Set the DMX ADDRESS	
PERSON	STANDARD(Default)			Use the menu to select desired channel mode	
	BASIC				
RUNMODE	DMX512(Default)			[DMX] Using the DMX 512 controller to control;[SLAVE] Master--Slave operation.	
	AUTO				
	CUSTOM1				
	CUSTOM2				
OPTION	DIMMER	DIM4(Default)		Dimming curves OFF (fast) to DIM4 (slow);	
		OFF			
	DMX ERROR	SAVE(Default)		Hold after loss of DMX signal	
		BLACK		Blackout after loss of DMX signal	
	PWM	1200HZ(Default)		Sets the PWM frequency	
		2400HZ			
		4000HZ			
		6000HZ			
		25000HZ			
	PERFORM	LIVE(Default)		Automatic rotation of fan	
		POWER		Fast rotation of fan, all power	
		STUDIO		Fan mode low speed	
	DISP KEY	ON(Default)		Locks display (passcode is UP\DOWN\UP\DOWN\ENTER)	
		OFF			
	DISP TIME	ON		Turns off display backlight after 10s/30s/2min of inactivity	
		10s			
		30s(Default)			
		2min			
	DISP TURN	AUTO		Auto Turn	
		OFF		No inversion	
	LOAD PARA	NO(Default)		Upload data	
		YES		Not upload data	
	SETTING	RECOVERY		****	Restore default factory settings.
		CLEAN EDIT1		****	Clean customer self-editing scene 1
		CLEAN EDIT2		****	Clean customer self-editing scene 2
	WDMX RESET	NO(Default)		Do not clear the receiver's message	
		YES		Clear the receiver's message	
	SIGNAL	ONLY XLR(Default)		ONLY XLR is wire only	
		XLR FIRST		XLR FIRST is wire first	
		ONLY WDMX		ONLY WDMX is wireless only	
		WDMX FIRST		WDMX FIRS is wireless first	
		WDMX TO DMX		WDMX TO DMX is wireless to wired	
	LANGUAGE	CHINESE		LANGUAGE	
ENGLISH(Default)					
EDIT	EDIT 1-2	STEP	COLOR	0-255	Edit the custom programs1-30
		(01-30)	DIMMER	0-255	

			STROBE	0-255	Select play 【EDIT 1】 in RUNMOEDE CUSTOM 1; Select play 【EDIT 2】 in RUNMOEDE CUSTOM 2	
			TIME	0-255	0-255(Multiply by 0.1s)	
			USE	YES/ NO	Select YES to run the steps user need.	
MANUAL	AUTO TEST				Auto Test channel	
	MANUAL TEST	COLOR	0-255		Manual control channel	
		DIMMER	0-255			
		STROBE	0-255			
	DEBUG HIDE	NO				Factory testing mode. All stepper motors are not controlled by signal, It only works again after the reset.
		YES				
		ALL RESET				ALL reset
COLOR RESET				COLOR reset		
INFO	FIXTURE HOURS				Hours of fixture use	
	TEMPERATURE				LED temperature	
	VERSION				Software versions	
	RDM	UID			Check fixture's ID	
		LABEL			Check fixture's LABEL	
	SYSTEM ERROR	Memory IC			Memory IC	
		Angle Sensor			Angle Sensor	
		Temperature			Temperature	
Color Reset			Color Reset			
SERVICE	****	COLOR	±127	Color position fine adjustment		

4 USING A DMX512 CONTROLLER

4.1 DMX CONTR

STANDARD CHANNEL	BASIC CHANNEL	VALUE	FUNCTION
1	1	000-255	Master Dimmer
2	-	000-255	Master Dimmer Adjustmen
3	2	STROBE	
		000-009	NO FUNCTION
		010-099	STROBE (FROM SLOD TO FAST)
		100-109	NO FUNCTION
		110-179	LIGHTNING STROBE
		180-189	NO FUNCTION
		190-255	RANDOM STROBE
4	3	COLOR WHELL 6+1	
		000-007	WHITE
		008-015	COLOR 1
		016-023	COLOR 2
		024-031	COLOR 3
		032-039	COLOR 4
		040-047	COLOR 5
		048-055	COLOR 6
		056-191	COLOR WHELL 0-360°
		192-222	COLOR WHELL RAINBOW EFFECT(SPEED 100%->1)
		223-224	STOP
225-255	COLOR WHELL RAINBOW EFFECT(SPEED 1->100%)		
5	-	000-255	COLOR WHIELL FINE
6	4	CONTROL (EXECUTE AFTER 3 SECONDS)	
		000-010	NO FUNCTION
		011-100	RESERVED
		101-110	DIMMER OFF
		111-120	DIMMER DIM4
		121-150	RESERVED
		151-160	1200Hz
		161-170	2400Hz
		171-180	4000Hz
		181-190	6000Hz
		191-200	25000Hz
		201-210	ALL RESET
		211-220	COLOR RESET
		221-230	RESERVED
231-240	RESERVED		
241-255	RESERVED		